



AutoGen: Commercialization

System Validation

Greg Dobson

Simulation Based Design Center

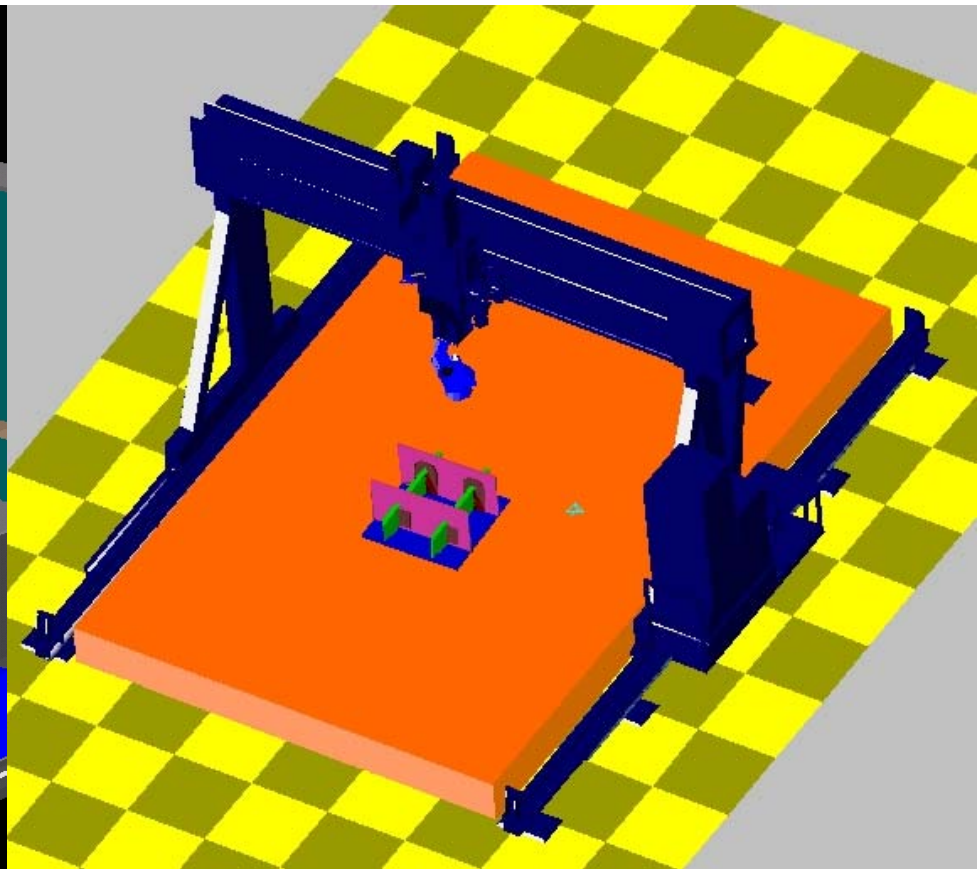
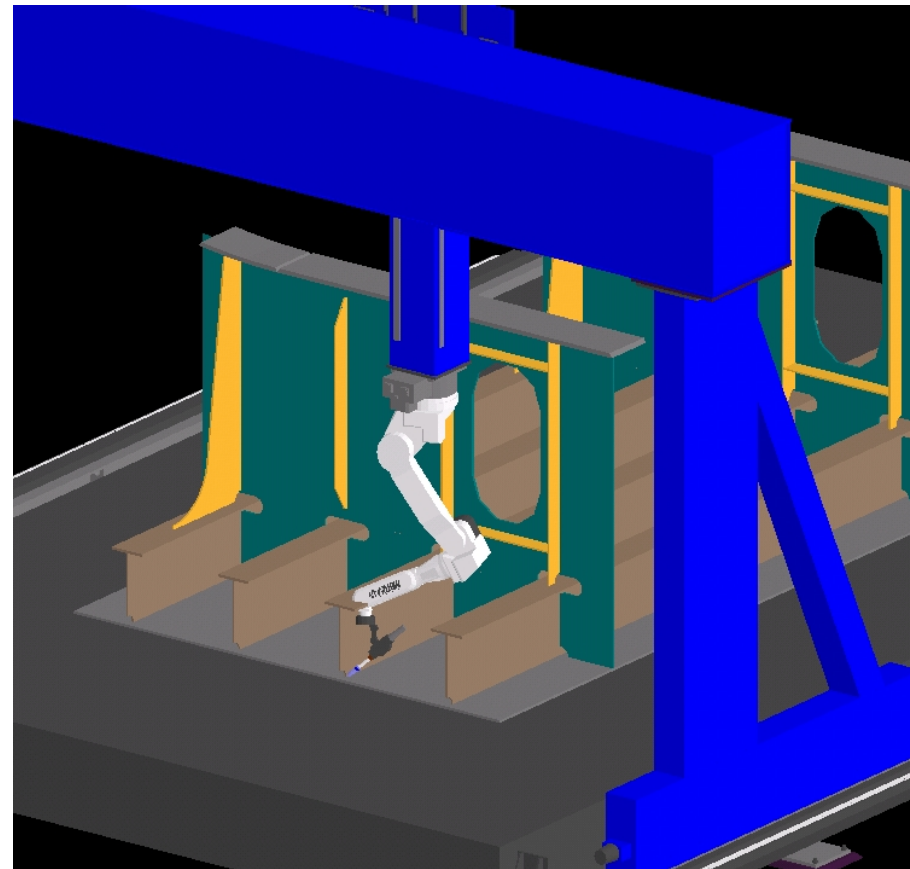
University of New Orleans

October 19, 2006

- Software will be enhanced and restructured
- Validation of the scheduled changes
- Testing Platforms
 - Virtual with simulation software
 - Welding On UNO Robot
- System demonstration

Delmia UltraArc

Motoman MotoSim



- UNO Motoman UP6



Gregory T. Dobson, Ph.D.
Site Director

UNO Simulation Based Design Center

Station 721-1-1
5100 River Rd.
Avondale, LA 70094-2706

(504) 654-2773

(504) 654-3880 (fax)

greg.dobson@gcrmtc.org